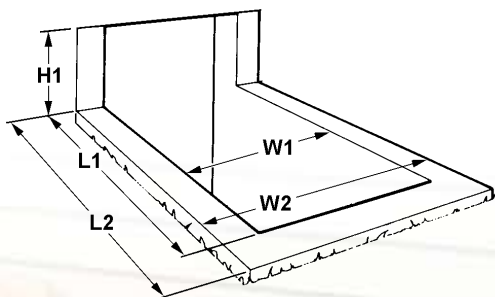


# Basement Door Measuring Guide

Follow the instructions below to calculate the proper size door for your areaway. An electronic version of this sizing guide is also available at [www.bilco.com](http://www.bilco.com). Please contact Bilco if you are unable to find a standard door to fit your areaway.

## Ultra Series and Classic Series Sided Doors

1. Discard your old door and measure (in inches) the dimensions of the areaway foundation.
2. Measure dimension W1, the inside width, and dimension W2, the outside width of the areaway foundation walls. Record your dimensions and make the calculation shown.
3. Measure dimension L1, the inside length, and dimension L2, the outside length of the areaway foundation walls. Record your dimensions and make the calculation shown.
4. Measure dimension H1, the height from the top of the areaway foundation to the top of the opening in the house foundation.
5. Select the door from the table to the right with a width between W1 and W2 and length between L1 and L2.



**Width**  
 W1 + 4" = \_\_\_\_\_  
 W2 = \_\_\_\_\_

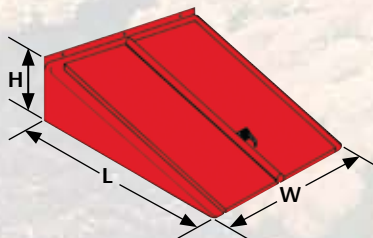
**Length**  
 L1 + 2" = \_\_\_\_\_  
 L2 = \_\_\_\_\_

**Height**  
 H1 = \_\_\_\_\_

**Extensions** are available to increase the door length for Size C Ultra and Classic Series doors. **Classic Series** extensions are available in 6", 12", 18", and 24" lengths.

**Ultra Series** extensions are available in 6" and 12" lengths only.

Two or more extensions can be mounted back to back for longer extensions.



## Basement Door Dimensions

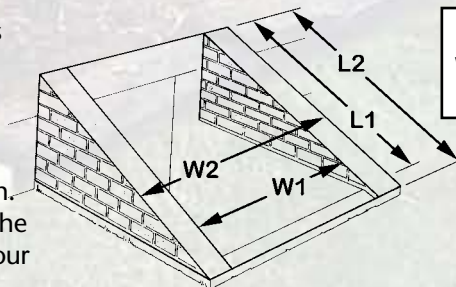
Size (inches)	Width (W) (inches)	Length (L) (inches)	Height (H) (inches)	Door Opening	
				Length (inches)	Width (inches)
B	51	64	22	60	44
C*	55	72	19½	67	48
O	47	58	30	58	40
SL	51	43¼	52	60	44

**\*Ultra Series Doors are available in Size C only**

## Classic Series Sloped Wall Doors

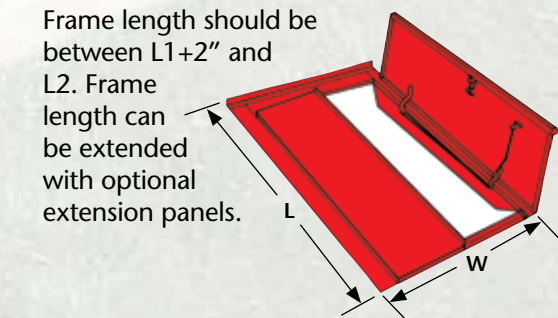
1. Discard your old door and measure the dimensions of the areaway foundation as shown.
2. Measure dimension W1, the inside width, and W2, the outside width of the foundation sloped sidewalls. Walls may not be uniformly spaced, so check at several points for the narrowest dimension.
3. Measure dimension L1, the inside length, and L2, the outside length of the areaway foundation. Record your dimensions and make the calculation shown.
4. Select the widest and longest SLW Door from the table to the right that will fit between the foundation sidewalls. Frame length should be between L1+2" and L2. Frame length can be extended with optional extension panels.

Record your foundation dimensions here



**Width**  
 W1 (minimum) = \_\_\_\_\_  
 W2 = \_\_\_\_\_

**Length**  
 L1 + 2" = \_\_\_\_\_  
 L2 = \_\_\_\_\_



## Sloped Wall Basement Door Dimensions

For inside width (inches) (W1) of:	Select Door Model	*Outside Width (W) (inches)	**Length (L) min - max (inches)	Door Opening	
				Length (inches)	Width (inches)
36 - 41	SLW3641	45¼	65¼ - 67¾	57	30
46 - 51	SLW4651	55¼	65¼ - 67¾	57	40
47 - 51	SLW4751	55¼	74½ - 77	67	40
50 - 55	SLW5055	59¼	67¾ - 70¼	60	44
54 - 59	SLW5459	63¼	74½ - 77	67	48

\* The frame of the door must overlap the foundation sidewalls by at least 2" on each side.

\*\* The SLW door length is adjustable for installation flexibility.

**Extensions** are available to increase the door length in 6" and 12" sizes. Two or more extensions can be over-lapped to make longer extensions.